

# ZxA1-SUB

## 12-Inch Subwoofer

### 700 Watt Amplified Loudspeaker System

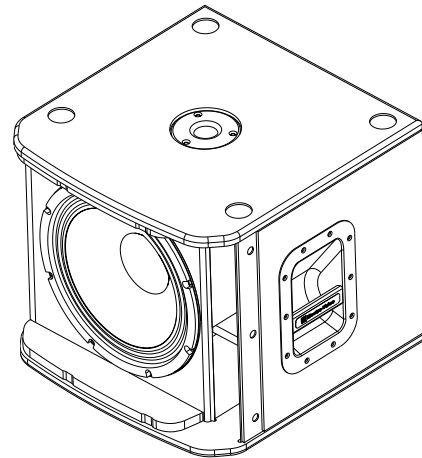


### Key Features:

- 700 W Class D Lightweight Amplifier
- 15mm Plywood Enclosure, Internally Braced, with Textured Paint
- EVS-12S 305mm (12") Woofer for Powerful, Engaging Bass Response
- Pole Mount for Full-Range Systems
- Dual XLR Inputs and Outputs
- Switchable EQ Modes for Different Applications
- LED indicators for Power On and Limit

### General Description:

Only to be expected from Electro-Voice, the ZxA1-Sub packs a big-stage punch. Electro-Voice drivers, components, and amplifiers are legendary—all proven at the highest levels of live performance. ZxA1-Sub wraps Electro-Voice technology in a durable, lightweight cabinet, resulting in the most powerful and versatile compact loudspeaker available today. Match ZxA1-Sub with the ZxA1 to create a truly exceptional professional sound system. The Electro-Voice ZxA1-Sub powered loudspeakers are fully integrated audio systems with carefully matched electronics and transducers. These products make it easy to set up a high quality sound system quickly, with a minimum amount of cables and external electronics. The Electro-Voice ZxA1-Sub is a compact, amplified loudspeaker system, which is designed for portable sound reinforcement applications that require maximum portability. The ZxA1-Sub utilizes EVS-12S, a high output, low distortion, 305mm (12 inch) woofer. The ZxA1-Sub subwoofer is powered by an integrated 700W amplifier module. The amplifier has dedicated XLR stereo inputs and XLR line level outputs for daisy chaining several ZxA1-Subs, mono sum, or adding ZxA1 full range systems. The amplifier, by design, features steep crossover slopes and woofer excursion protection for maximum output and reliability. A switchable DSP low-end boost filter provides additional low-frequency extension. The selectable polarity switch controls acoustic polarity of the subwoofer and can be applied, if bass output is low, eliminating possible “cancellation” of low frequencies. The ZxA1-Sub plywood enclosure is made for lasting durability and lightweight requirements. Solid, easy-to-grip handles on each side and pole mounts make the ZxA1-Sub ideal for many portable applications.



### Technical Specifications:

Freq. Response (-3dB):	53Hz–93Hz <sup>1</sup>
Freq. Range (-10dB):	44Hz–118Hz <sup>1</sup>
Max. Measured SPL:	126dB <sup>1,2</sup>
Coverage (Horiz. x Vert.):	Omnidirectional
Power Rating:	700W
LF Transducer:	(1) EVS-12S, 305mm (12") Woofer
Crossover Frequency:	100Hz
Connectors:	(2) XLR Stereo Input, (2) XLR Stereo Output
Enclosure Material:	9-ply, 15mm Plywood, Internally Braced, with Textured Paint
Grille:	16GA Steel with Black Powdercoat
Mains Requirements:	120V: 90V–132V, 1.0A <sup>3</sup> , 50–60Hz 230V: 190V–264V, 0.6A <sup>3</sup> , 50–60Hz
Dimensions (H x W x D):	400mm x 444.5mm x 457.2mm (15.75" x 17.50" x 18.00")
Net Weight:	20.9kg (46.0lbs)
Shipping Weight:	26.5kg (58.5lbs)

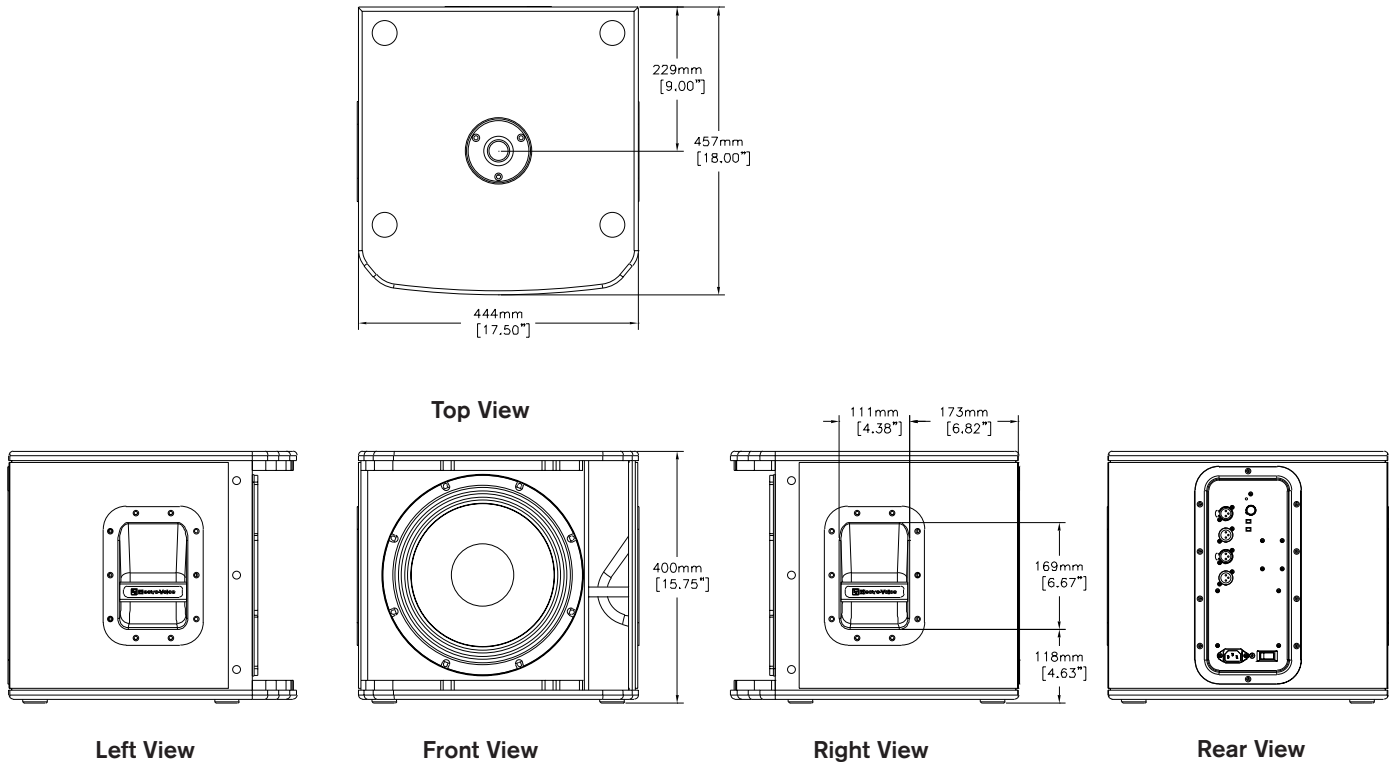
1. Half-Space

2. Typical maximum SPL value at one (1) meter over the usable frequency range, measured with a pink-noise burst signal, using internal signal processing and amplifier driven to peak output.

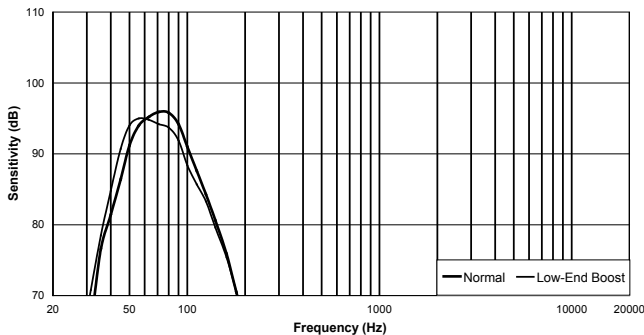
3. 1/8 power



## Dimension Drawings:



## Frequency Response:



### ZxA1-SUB System Model/Commercial Code

- ZxA1-SUB-120V ZxA1-SUB, 120V, Black, Omnidirectional Coverage
- ZxA1-SUB-230V ZxA1-SUB, 230V, Black, Omnidirectional Coverage

### Accessories

- ASP-1 Height adjustable steel subwoofer stand

Specifications subject to change without notice.

## Electro-Voice

12000 Portland Avenue South, Burnsville, MN 55337  
Phone: 952/884-4051, Fax: 952/884-0043

www.electrovoice.com

© Bosch Communications Systems 10/2011

Part Number F.01U.218.389 Rev 01

U.S.A. and Canada only. For customer orders, contact Customer Service at:

**800/392-3497 Fax: 800/955-6831**

Europe, Africa, and Middle East only. For customer orders, contact Customer Service at:

**+ 49 9421-706 0 Fax: + 49 9421-706 265**

Other International locations. For customer orders, Contact Customer Service at:

**+ 1 952 884-4051 Fax: + 1 952 887-9212**

For warranty repair or service information, contact the Service Repair department at:

**800/685-2606**

For technical assistance, contact Technical Support at: **866/78AUDIO**